

NEW DELTROL

fluid products
DIVISION OF DELTROL CORP 



DREAM COIL SERIES 8

Designed For Use In The Most Rigorous
Mobile And Industrial Hydraulic Applications

GO AHEAD AND DUNK IT!

DREAM COIL

Designed For Use In The Most Rigorous Mobile And Industrial Hydraulic Applications

DESCRIPTION

Deltrol Fluid Products' new 8-Series Dream Coil has been designed to reliably meet the demands of the most rigorous environments you will encounter in any mobile and industrial hydraulic applications. With a thick and rugged external D-frame and layered winding, the coil is designed for maximum power density while maintaining structural integrity throughout its life.

We have subjected the weather-resistant versions of this coil to the harsh IP69K thermal shock dunk and pressure wash down test conditions and they proved to withstand all tests. As a result, the Deutsch, Metri-Pack, and Amp Jr. Timer versions are all rated to meet or exceed IP69K specifications.

We have also been able to design our other, "non-environmental" style coils with lead, spade, and stud terminations in the same configuration to keep consistency among the entire coil family.

FEATURES AND BENEFITS

Engineered Surface Cavities

- Maintains Deltrol's use of maximum surface area for superior heat dissipation and brand recognition

Continuous Duty

- Class N magnet wire rated to 200° C

External D-Frame Construction

- Maintains structural integrity to mitigate the effects of thermal expansion of dissimilar materials

Various Terminations

- Available with integrally molded weather resistant connectors. Other standard configurations available

IP69K Proven

- Thermal shock dunk test & high pressure wash down approved
- For all weather resistant style coils – Deutsch, Metri-Pack and Amp Jr. Timer

Integral Suppression

- Internally molded diodes available

Corrosion Resistant

- Up to 960 hour salt spray per ASTM B117 specification available

SPECIFICATIONS

Standard Voltage: 10, 12, 20 and 24 volts DC

Other voltages available upon request

Wattage:

Coils are nominally 16 watts at 68°F (20°C)

Duty Rating:

Continuous at 115% voltage

Ambient

Operating

Temperature:

212°F (100°C) continuous up to 115% nominal voltage

Magnet Wire:

Class N, 200°C
NEMA Publication No. MW1000

Encapsulating

Material:

Thermoplastic Polyester (PET) –
(Rynite 415 HP)

Lead Wires:

18/20 gauge, meets SAE J1128 XLPE,
Type SXL

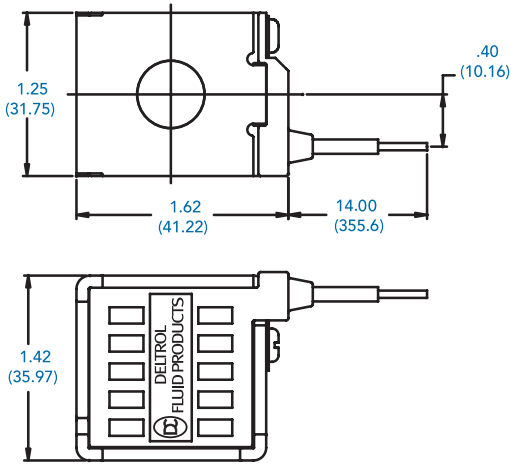
Environmental:

IP69K for Deutsch, Metri-Pack and
Amp Jr. Timer styles

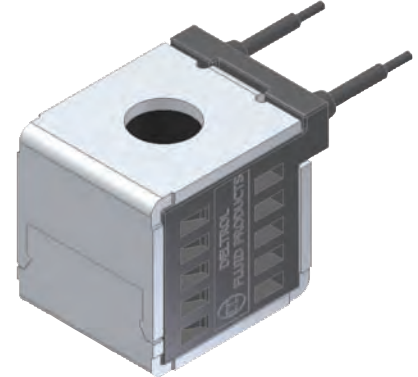
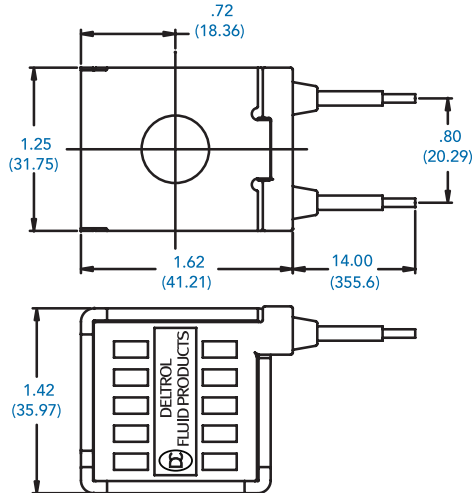


SERIES 8

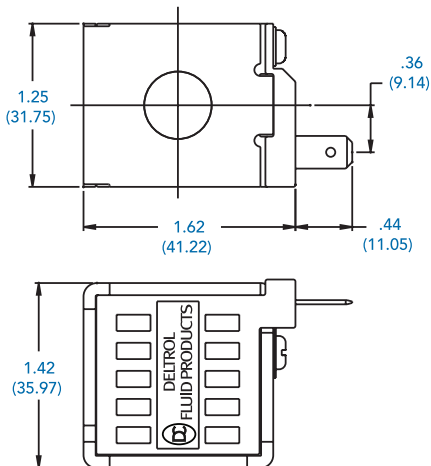
SINGLE LEAD



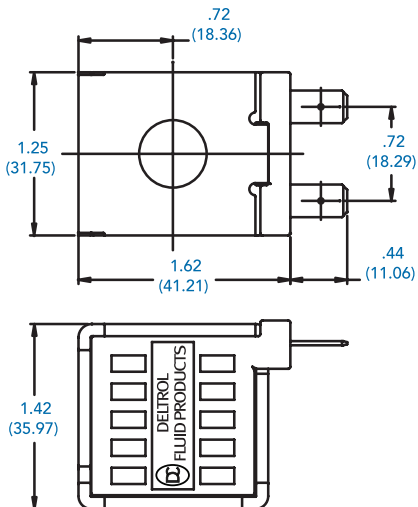
DUAL LEAD



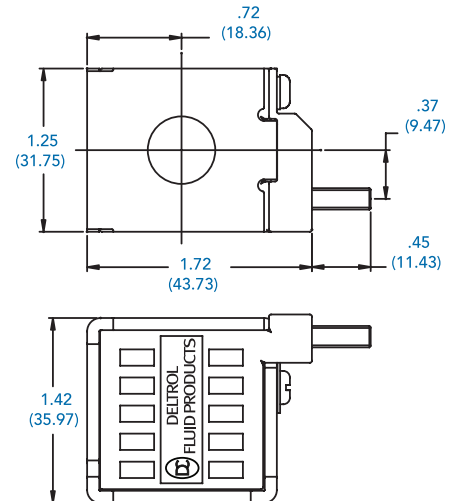
SINGLE SPADE



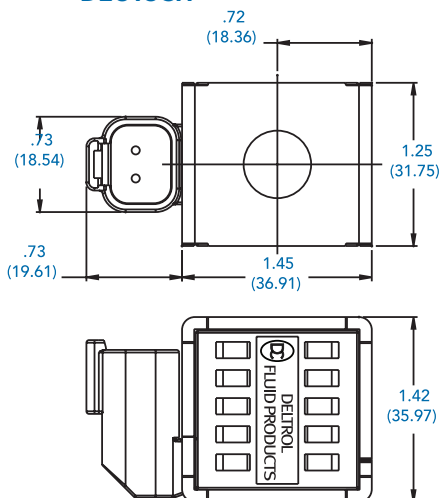
DUAL SPADE



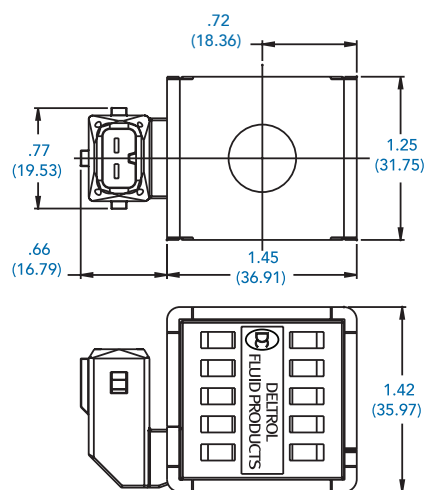
SINGLE STUD



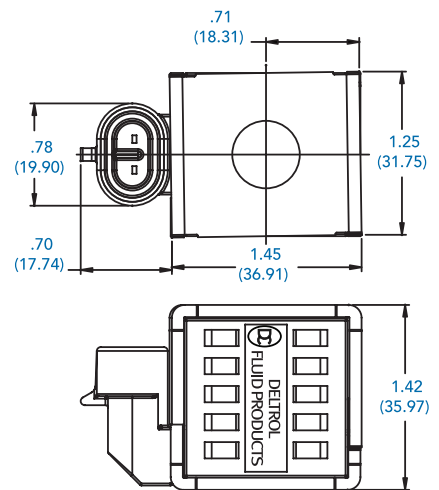
DEUTSCH



AMP JR. TIMER



METRI-PACK



Please visit us at

www.deltrolfluid.com

for information on these other
Deltrol product lines:

- High Performance Hydraulic Cartridge Valves
- Hydraulic Integrated Circuit Manifolds
- In-Line Flow Control, Needle, Check and Accessory Valves
- Custom Solutions for Your Fluid Power and Fluid Control Demands

Or **Contact Us** and **Request a Free Catalog.**



DELTRON FLUID PRODUCTS

A Division of Deltrol Corp.

3001 Grant Avenue
Bellwood, IL 60104
(708) 547-0500

www.deltrolfluid.com